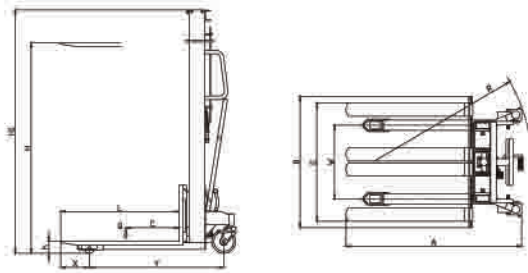




Manual Hydraulic Stacker CTY Series

■ It's design and small turning radius makes it easier to make sharp turns.

- Controllable direction handle.
- Has a dual pump for easier lifting.
- Unique technology quick valve system.
- Top of stroke bypass valve built in.
- Top quality hydraulic pump & cylinder.
- Protection device for steering wheel & safety guard for load roller.
- Conforms to EN1757-1:2001.



With forged forks

With pressed steel-plate forks

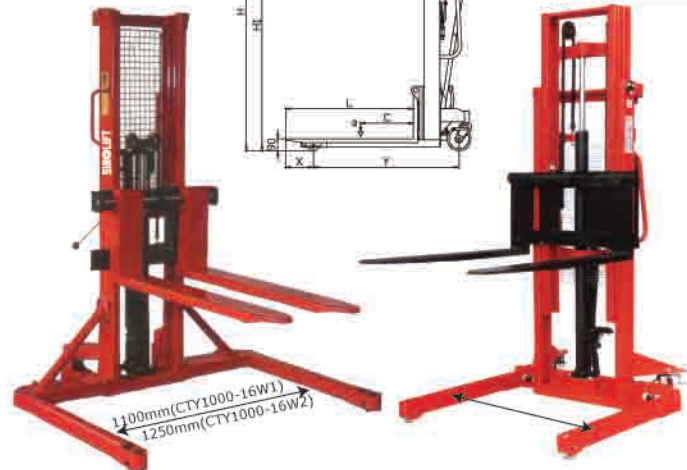
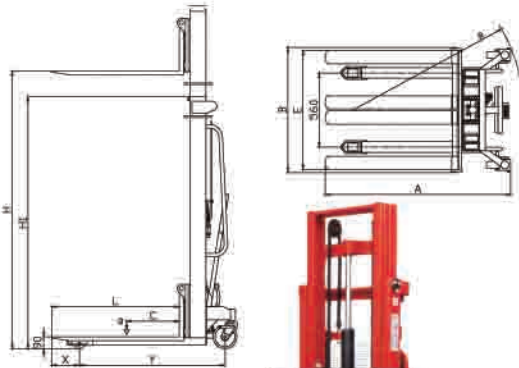
1KG=2.2LB 1INCH=25.4MM

Model		CTY500-16	CTY1000-16	CTY1000-16F	CTY1500-16	CTY1500-16F	CTY2000-16	CTY1000-25	CTY1000-25F	CTY1000-30
Rated Capacity	kg	500	1000	1000	1500	1500	2000	1000	1000	1000
Load Center	mm	400	400	400	400	400	400	400	400	400
Lifting Height	mm	85-1600	90-1600	90-1600	90-1600	90-1600	95-1500	90-2500	95-2500	90-3000
Fork Length	mm	800	900	950	900	900	900	1000	900	900
Fork Width	mm	220-750	300-820	550	300-820	550	220-950	300-820	550	300-820
Min. Turning Radius	mm	1110	1250	1085	1250	1085	1250	1250	1085	1250
Overall Length	mm	1280	1380	1500	1500	1500	1380	1500	1680	1500
Overall Width	mm	800	1000	800	865	865	950	865	950	865
Overall Height	mm	1980	2100	2000	2100	2000	2010	1810	1810	2060
Net Weight	kg	155	250	207	260	228	285	355	355	370

1, With "F" mean fixed forks. the forged forks can be fixed width as 750mm,820mm and 950mm.

2, Can be with forged forks or pressed steel-plate forks.

3, Materials and specifications are subject to change without notice.



Any hand stacker can be with super wide straddle legs, when place order, please add "W" to indicate the exact model.



CTY1000-25(F) and CTY1000-30(F) are with duplex mast, and all of them still can have adjustable forks or fixed forks.

Hand Winch Stacker CYL Series

● Simple, easy way to lift, lower and transport heavy loads with minimum effort.

- Handle standard 40" x 48" pallets.
- Features adjustable width forks and outrigger legs.
- Low effort hand winch equipped with automatic brake systems and adjustable length handle.
- Swivel casters feature foot brake to prevent movement.
- Optional Steel Platform - Solid steel construction, Fits over forks.
- Conforms to EN1757-1.



1KG=2.2LB 1INCH=25.4MM

Model		CYL35	CYL35W
Load Capacity	kg	350	350
Load Center	mm	300	400
Lifting Height	mm	90~1500	76~1500
Turning Radius	mm	790	790
Height/stroke	mm	45	45
Handle winch Power	kg	7	7
Overall length	mm	960	1275
Overall width	mm	635	1390
Overall Height	mm	1855	1855
Fork leg length	mm	600	915
Fork leg width	mm	60	75
Fork leg thickness	mm	30	45
Fork outside width	mm	140~620	165~760
Straddle height	mm	90	76
Front wheel	mm	Ø82x55	Ø82x55
Rear wheel	mm	Ø150x40	Ø150x40
Service weight	kg	75	113



CYL35W ↑



With adjustable forks



CYL35 ↑

Hand Winch Stacker CTJ Series

● This compact truck is ideal for loading and unloading trucks where docks do not exist. A favorite with the automotive industry for handling engines and transmissions, this model features an easy to operate winch with an automatic braking system, a safety cage and a floor brake.

- Manual lift and propulsion.
- Wind the handle clockwise to lift the load.
- Turn it anti-clockwise to lower the load.
- Twin handles for easy maneuvering.
- Adjustable winch handle length for different load weights.
- Conforms to EN1757-1.



1KG=2.2LB 1INCH=25.4MM

Model		CTJ300	CTJ500	CTJ1000/CTJ1000A	CTJ1500
Loading capacity	kg	300	500	1000	1500
Lifting speed	mm/sec	0~160	0~140	0~60	0~40
Lifting height	mm	1500	1500	1500	1500
Outline dimension	mm	1250x620x1900	1200x620x1990	1260x680x2020	1480x800x2035
Fork length	mm	800	800	800	900
Front wheel	mm	Ø90	Ø90	Ø90	Ø90
Rear wheel	mm	Ø125	Ø180	Ø180	Ø180
Mesh line	mm	1900	Ø2.8~3.5	Ø2.8~3.5	Ø2.8~3.5
Fork outside width	mm	190~420	190~420	230~530	260~640
Foot Brake		No	No	No	No
Outside width of inserting leg	mm	620	620	680	800
Loading center	mm	400	400	400	450
Service Weight	kg	105	106	240	290



CTJ1000A ↑



Pulley block



1, With "A" mean the truck is equipped with floor parking brake.
2, The parking brakes on steering wheels are option.